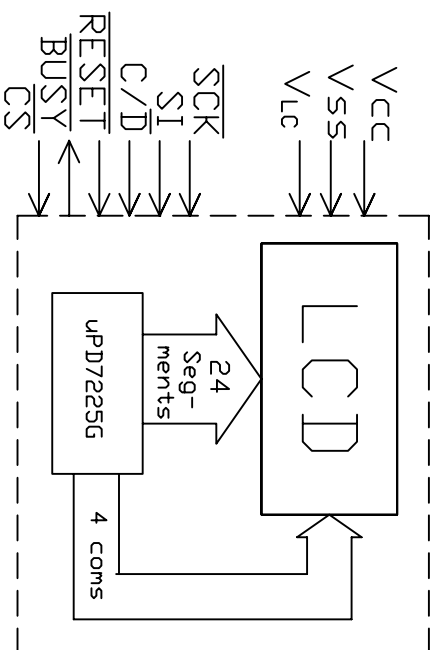
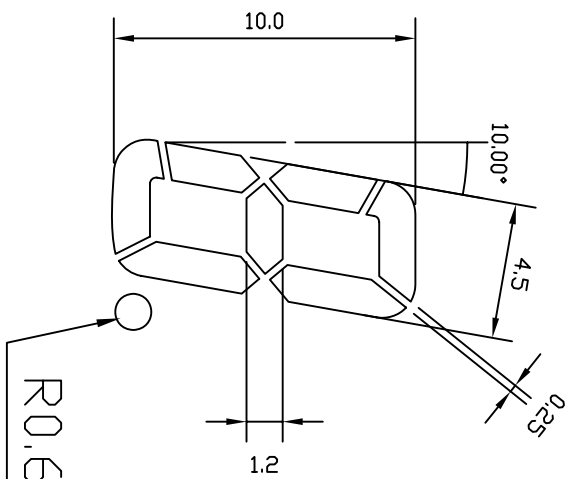


Din No	Designation
1	VCC
2	VSS
3	SCK
4	SI
5	C/D
6	RESET
7	BUSY
8	CS
9	V <sub>Lc</sub>
10	N.C



module house

POLARIZER Reflective		VIEWING DIR.		LCD NO.		SCALE Not in scale		DATE 12-08-98		DRG. NO. KTM-S1201	
VOLTAGE 3.2V		OPERAT. TEMP. -20 to 70°C		DRAWN BY		APP. BY		REV. 1		SH. DF	